



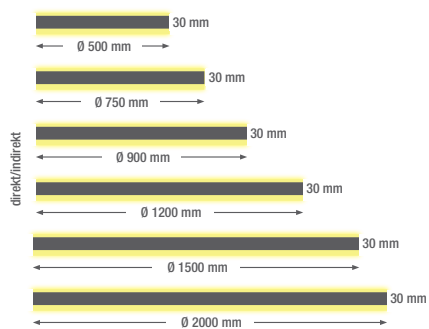
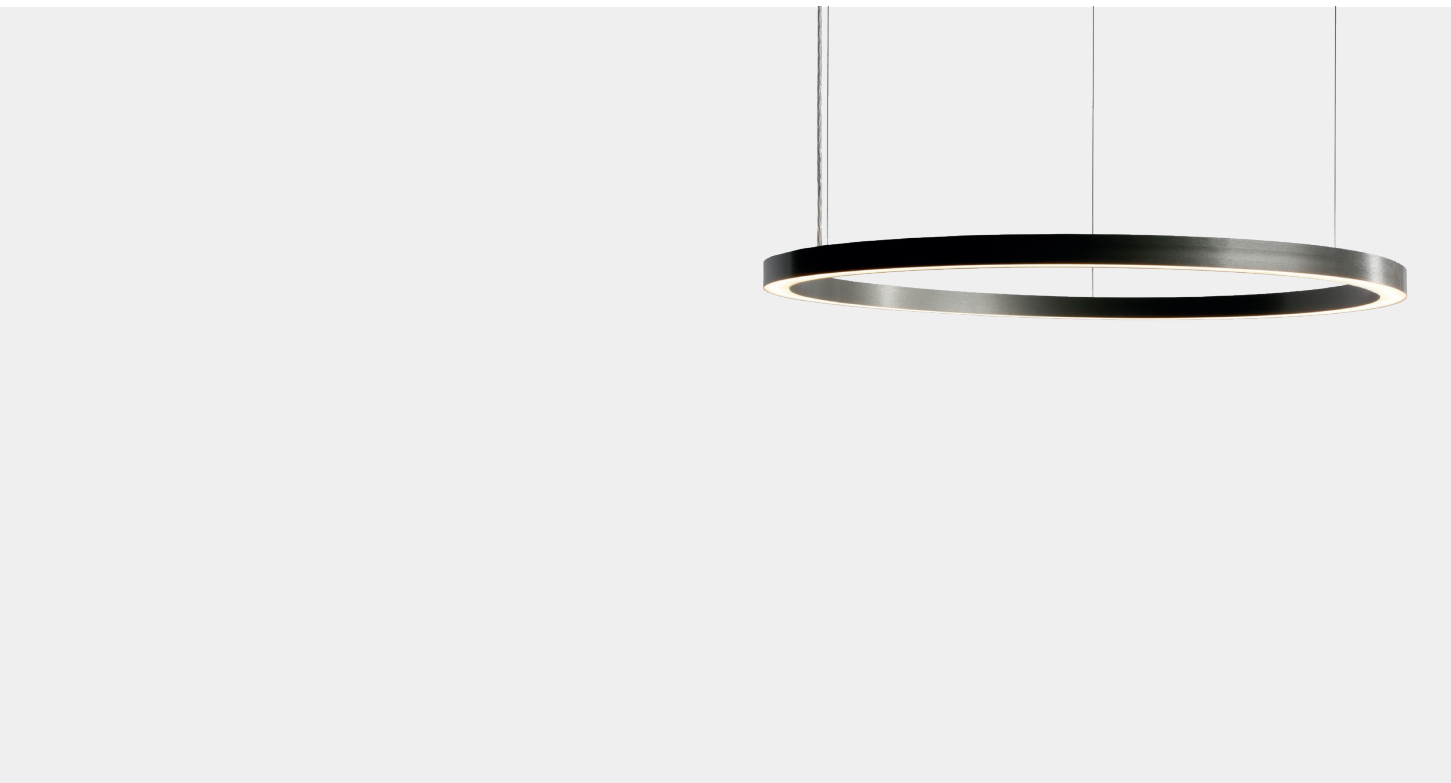
DATA SHEET

smartBULK 30 pendant dir/indir

The elegant smartBULK ring luminaire is an eye-catcher with which rooms can be given a completely new look. A designer luminaire that brightens up the room and creates atmosphere at the same time. The modern styling in the form of a chandelier features a simple elegance and attracts the eye with its elegant design. The direct and indirect light emission ensures uniform and pleasant general illumination and is also suitable for illuminating large, high rooms.

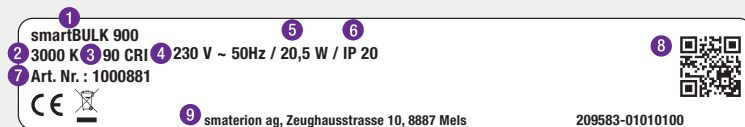
- Slender round aluminium profile with height of 30 mm
- Available in all RAL colours as a powder coating or as a foil version in various colours
- Includes height-adjustable wire pendant up to 3m
- Control gear to be placed externally
- Milled acrylic glass covers (PMMA) for uniform direct and indirect light emission
- Made in Switzerland
- Other dimensions up to diameter of 5m possible on request

6.631 smartBULK 30 pendant dir/indir



Technical data

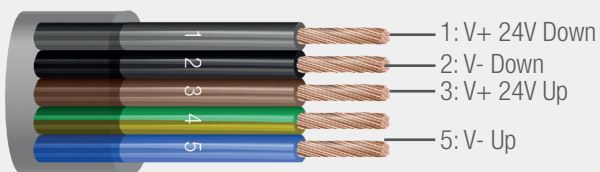
Storage temperature	-40 ... +85 °C
Max. surface temperature	65 °C
Shock rating	IK05
Protection type (IP)	IP20
Ambient temperature t_a	25 °C
Input voltage	24 V DC
Service life L80B10 (h) @ $t_a = 25^\circ\text{C}$	50000 h



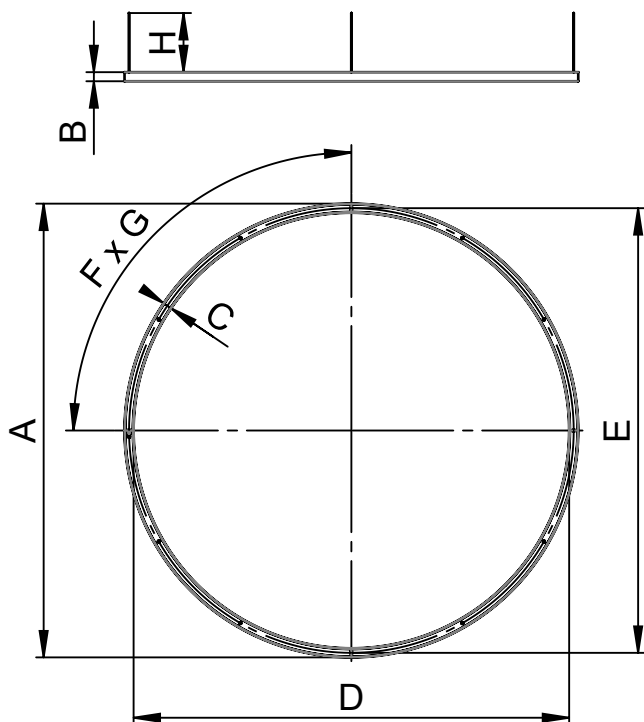
- 1 Product description
- 2 Color temperature, e.g. 3000K
- 3 Color rendering index, e.g. 90 CRI
- 4 Voltage, e.g. 230 V ~
- 5 Power, e.g. 20 W
- 6 IP protection, e.g. IP20
- 7 Item number
- 8 QR code with unique identification ID
- 9 Manufacturer address

Electrical connection

without Power Supply

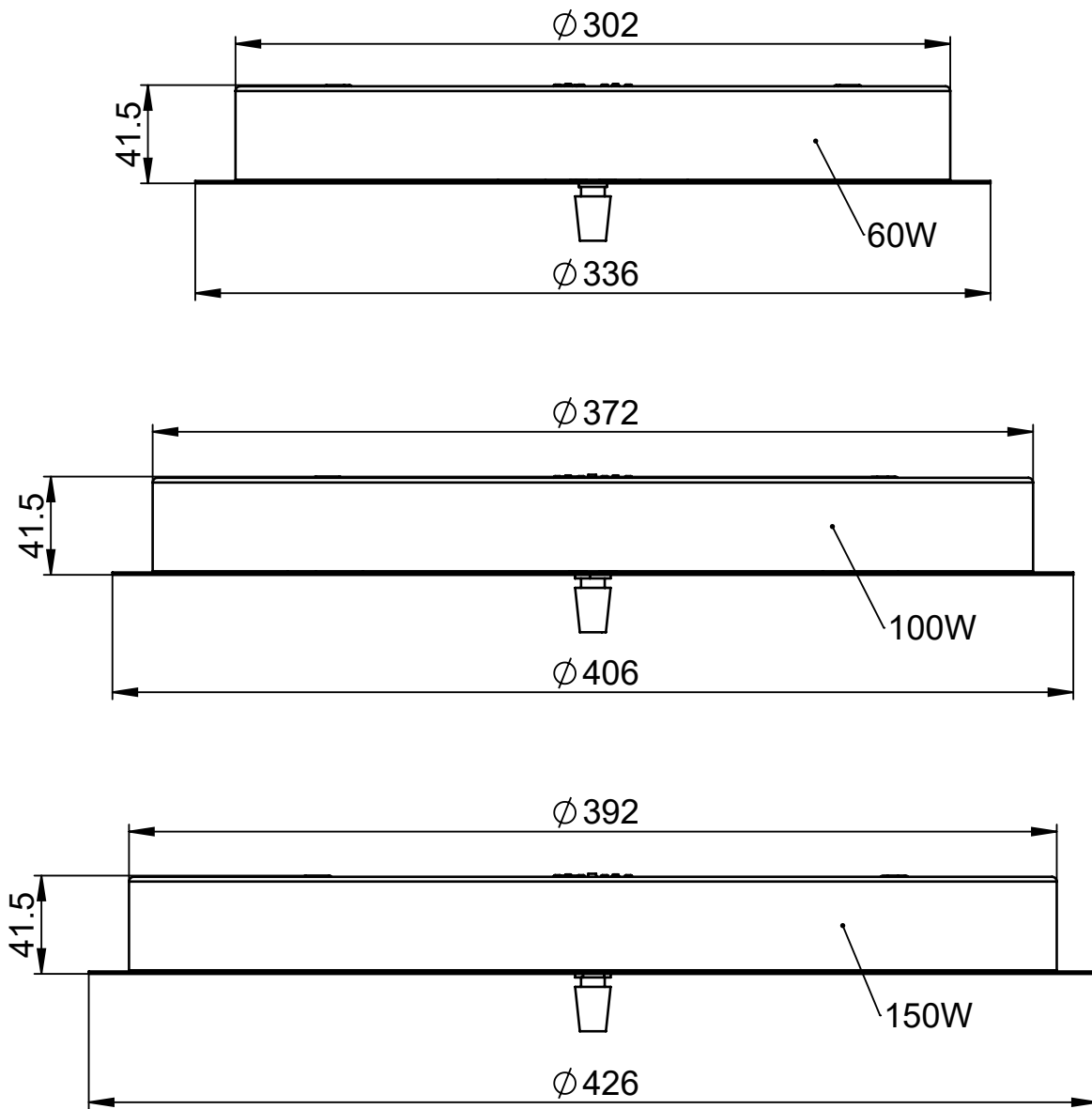


Dimensions



A	B	C	D	E	F	G	H
Ø500mm	30mm	30mm	Ø440mm	Ø470mm	3	120°	3m
Ø750mm	30mm	30mm	Ø690mm	Ø720mm	3	120°	3m
Ø900mm	30mm	30mm	Ø840mm	Ø870mm	3	120°	3m
Ø1200mm	30mm	30mm	Ø1140mm	Ø1170mm	4	90°	3m
Ø1500mm	30mm	30mm	Ø1440mm	Ø1470mm	4	90°	3m
Ø2000mm	30mm	30mm	Ø1940mm	Ø1970mm	6	60°	3m

Dimensions



Assembly instructions

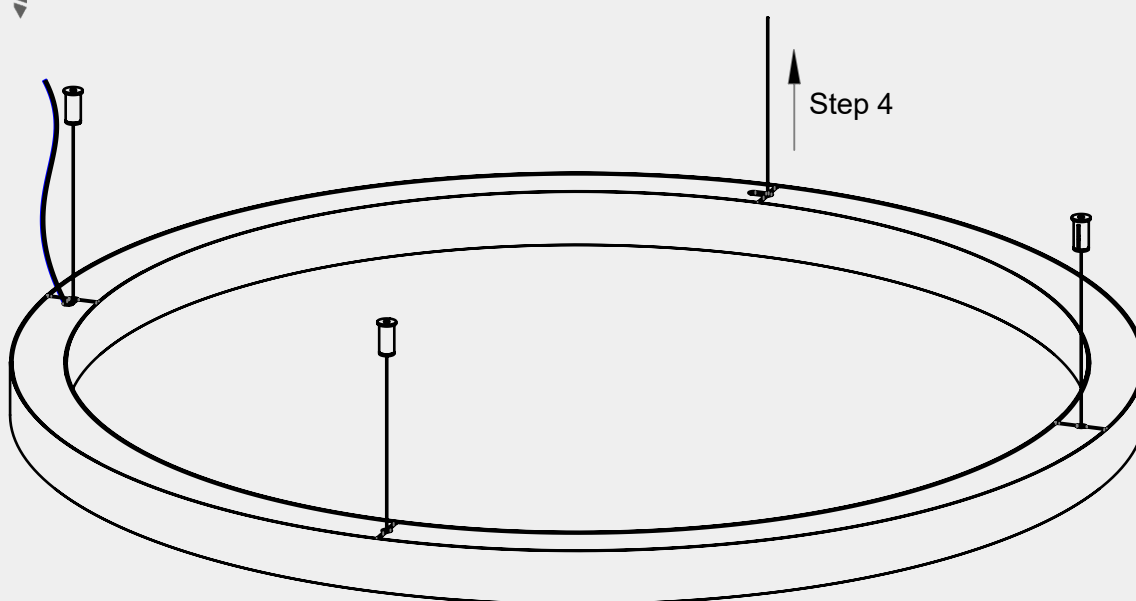
Step 1



Step 2



Step 3



Cleaning and care

Wipe the luminaire clean using a damp, lint-free cloth. Do not scrub! If heavily soiled, wipe clean with a mild solution of warm soapy water (microfibre cloth and washing-up liquid). Do not use a scouring agent. Do not rub the luminaire dry, as the resulting static may damage the electronic components beyond repair.

Warnings

The equipment may only be installed and put into service by authorised technical personnel (electrical fitters). The luminaire is designed solely for lighting applications and is to be installed according to the installation regulations. Any other form of use or installation is considered to be improper. Failure to comply with the installation instructions can damage the luminaire beyond repair. Return to the manufacturer if any defects are identified. The installation instructions must be retained for future reference. Subject to technical changes. Not to be installed on a wet or conductive substrate. The luminaire is only to be installed, put into service or modified in any way by authorised skilled personnel (a qualified electrician). National installation regulations must be observed. Before any work is performed on the luminaire, it must be disconnected from mains. Hot plug-in is not an option and may cause damage to the luminaire! The manufacturer is not liable for damage resulting from improper/faulty installation or operation, or from unauthorised modifications to the luminaire. The light source contained in this luminaire is only to be replaced by the manufacturer, a service technician authorised by the manufacturer or a similarly qualified person. Caution, risk of electric shock! In the event of questions or queries, please contact the manufacturer.



Disconnect the luminaire from the power supply.



Caution, risk of electric shock!



DISPOSAL

The packaging must be recycled via the DSD (Green Dot) scheme or its equivalent. Dispose of the packaging correctly sorted. Waste electrical and electronic equipment must never be disposed of together with household waste. In accordance with the EU directives, the device must be disposed of in an orderly manner at the end of its service life. This means having the materials contained in the device recycled to avoid polluting the environment. Take the waste equipment to a collection point for electrical and electronic waste or to a recycling depot. For further information, please contact your local waste disposal service or your local authority.



The LED board(s) can only be replaced by a specialist as the manufacturer. Please do not attempt to replace the components yourself, as this will void the warranty and CE conformity.

IP20

Protected against ingress of solid foreign objects with a diameter of more than 12.5 mm.



Class III luminaires for operation at safety extra-low voltage (SELV)